



**PAD EYES**

Pad Eyes are used to spread a load out over a larger area. They are used to attach blocks, rigging or other fittings to both decks and spars.

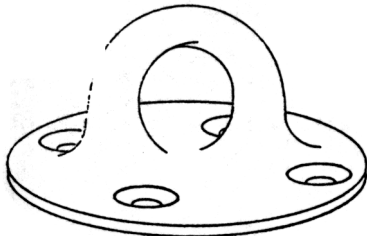
Stock #	Length	Width	Eye Size	Screw Size
BB5194	5"	3 1/2"	3/4"	# 18
BB6797	3 3/4"	2 1/2"	3/4"	# 14
BB0690	3"	2 1/4"	5/8"	# 12



**DECK BOWS**

Deck Bows (which are frequently used on spars as well) come in a variety of sizes and with either two or four countersunk screw holes.

Stock #	Length	Width	Eye Size	Screw Holes
HM0042	4 5/8"	1 1/16"	9/16"	4 #12
HM0022	4"	5/8"	1/2"	4 #10
HM0090	3 1/2"	9/16"	7/16"	4 #10
HM0091	2 7/8"	1/2"	3/8"	4 #8
HM5659	2 1/2"	9/16"	3/8"	2 #10
HM0024	2 1/8"	1/2"	3/8"	2 #8

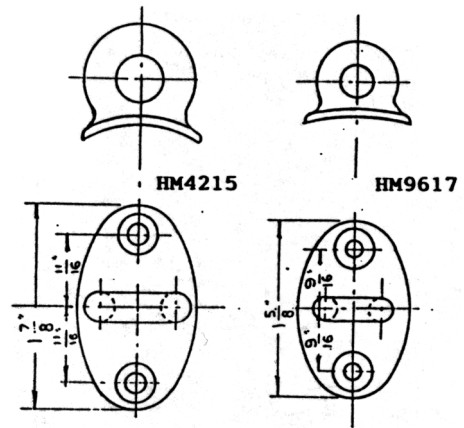


**HERRESHOFF PATTERN FLANGE EYES**

These multi-purpose fittings can be used as fairleads, turning points for lines, and as attachment points for blocks.

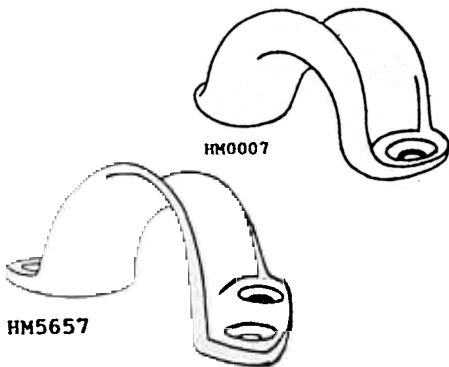
Stock #	Base Dia.	Opening Dia.
HM0038	1 5/8"	7/16"
HM0063	2 1/2"	3/4"
HM3190.5	3"	7/8"
HM0079	4"	1 1/2"

(HM0079 has a 1/2" thick base).



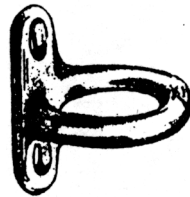
**MAST & BOOM FLANGE EYES**

With their curved base these fittings are used on both masts and booms to attach blocks or to terminate sheets and halyards.



**HERRESHOFF PATTERN DECK FAIRLEADS**

Designed by Nat Herreshoff these beautiful and very functional deck fairleads are designed to keep any line in its place. HM0007 will take up to 3/8" line and HM5657 will handle all lines up to 5/8"



**BB3594 LARGE FAIRLEAD**

This fitting is a large diameter fairlead designed to be used on masts, booms, or anywhere else. The base is 1 1/2" long, 3/4" wide and it has a 1" Dia. opening.



Spar Fairleads can be used on either masts or booms to keep a sheet or halyard running true and not wandering off and fouling around other fittings.

Part #	Length	Width	Inside Diameter
BB3494B	1 7/8"	1 3/6"	5/8"
BB3494A	1 5/8"	1 1/8"	1/2"
BB4897	1 3/8"	7/8"	3/8"