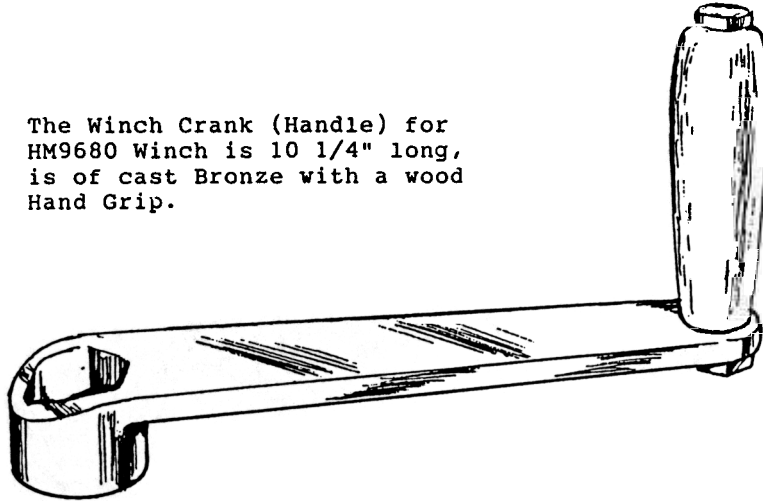
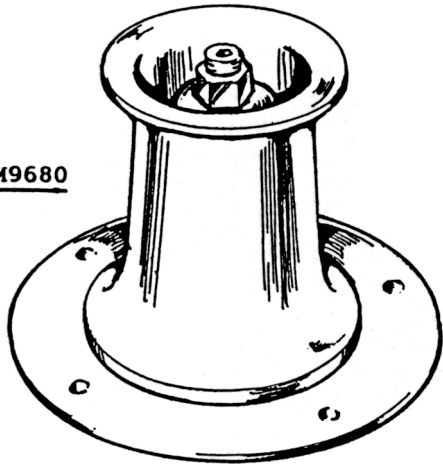


The Winch Crank (Handle) for HM9680 Winch is 10 1/4" long, is of cast Bronze with a wood Hand Grip.



HM9681

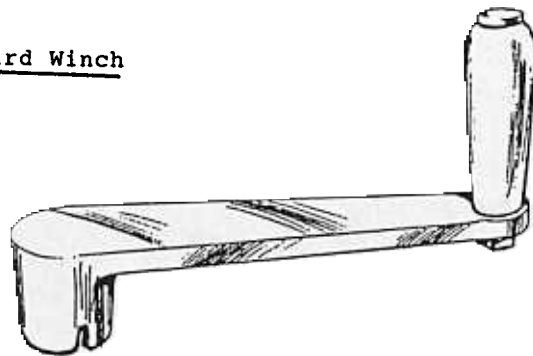


HM9680

This N.G. Herreshoff designed winch was typically used as a Main Halyard Winch on medium size boats.

The drum diameter of this Winch flairs from 2 1/2" to 4". The Winch, including the base, is 4" high. The Base is 6 1/2" in diameter. This winch is single speed, single directional, non reversing. It is cast completely of Naval Bronze.

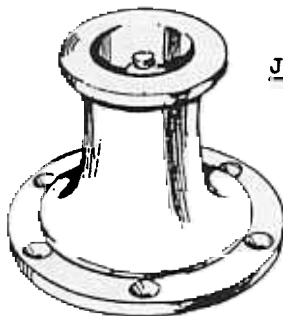
Main Halyard Winch



Winch Crank (Handle) for HM9767 Winch is 6" long and is of cast Bronze with a wood hand grip.

HM9769

Snubbing Winch



Jib Halyard Winch

HM9767

This N.G. Herreshoff designed winch was typically used as a Jib Halyard winch on medium size boats. The drum flairs from 1 1/2" to 2 1/2". The winch, including the base, is 2 1/2" high. The base has a diameter of 3 9/16". The winch is single speed, non-reversing and is of cast Bronze.



HM0010

This Herreshoff designed snubbing winch was used on various size boats to take the strain of sheets and halyards. The drum flairs from 1 1/4" to 2 1/4" in Dia. The winch is of cast Bronze.